

NFI-PI-50

NEEDLE-FREE INJECTION SYSTEM

# PRODUCT INTRODUCTION



**ZAM** ZA Medical Device



# Table Of Contents

一、 Product Information.....	01
1、 Components.....	01
2、 Specification and Application.....	02
3、 Advantages.....	02
二、 Instruction.....	03
1、 The Structure Chart.....	03
2、 Operational Steps.....	03
三、 Warnings.....	06
四、 Fault Resolution.....	07
五、 Replacement Of Accessories.....	08

# 1. Instruction of the product



## ✓ A needle-free injector

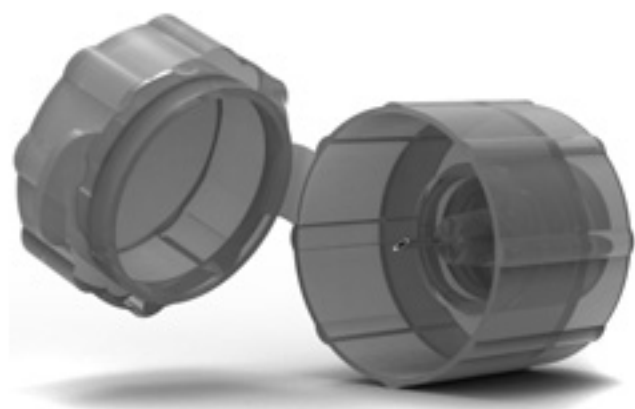
The injector is used for releasing the pressure to deliver medicines penetrating the skin

## 1.1 Components



## ✓ Two ampoules

The ampoule is used for storing the medicines (storage temperature 5-35°C)



## ✓ A vial adapter

The vial adapter is connected with the medicine bottle for absorbing the medicine through ampoule

# 1. Instruction of the product

## 1.2 Specification And Application



This product is applicable to veterinary injection for cats, dogs, rabbits and other general pets.

Max injection dose :0.3ml.

Min injection dose :0.1ml.

## 1.3 Advantages



No needle and less pain;

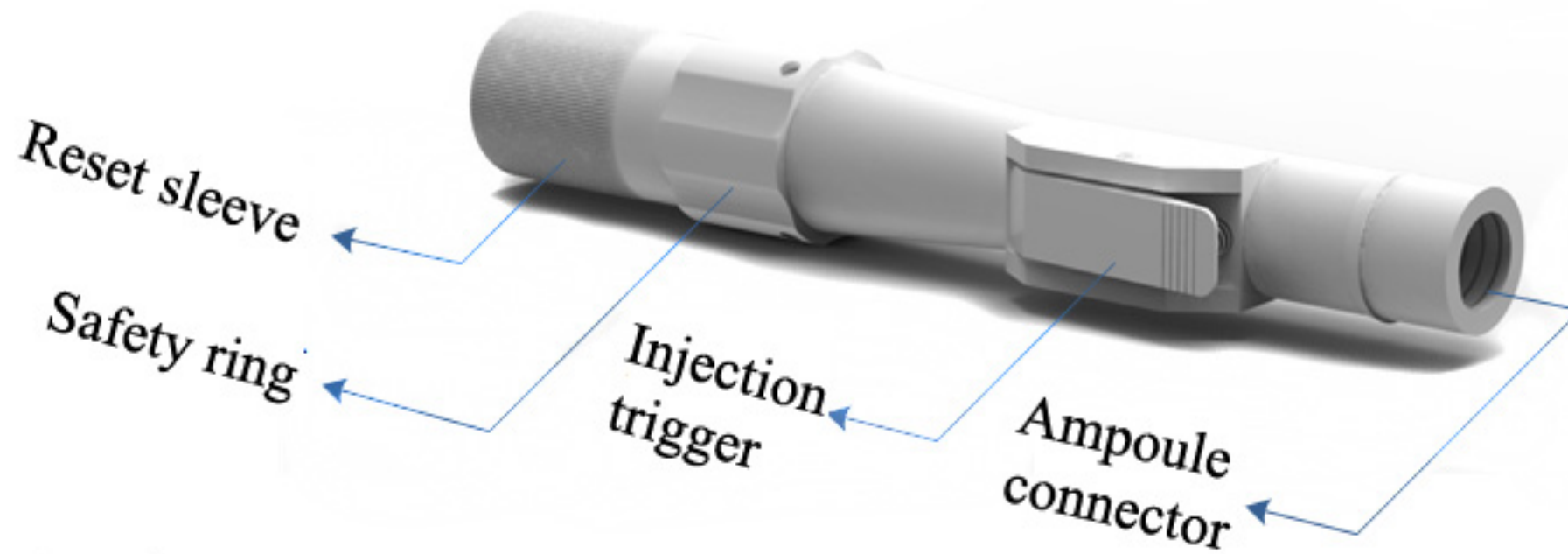
Convenient and accurate ;

No red spots and swollen ,no bruising ,no festering and other untoward effects;

Eliminate the fees of dealing with the obsolete needles.

## 2. Instruction

### 2.1 The structure chart



### 2.2 Operational steps

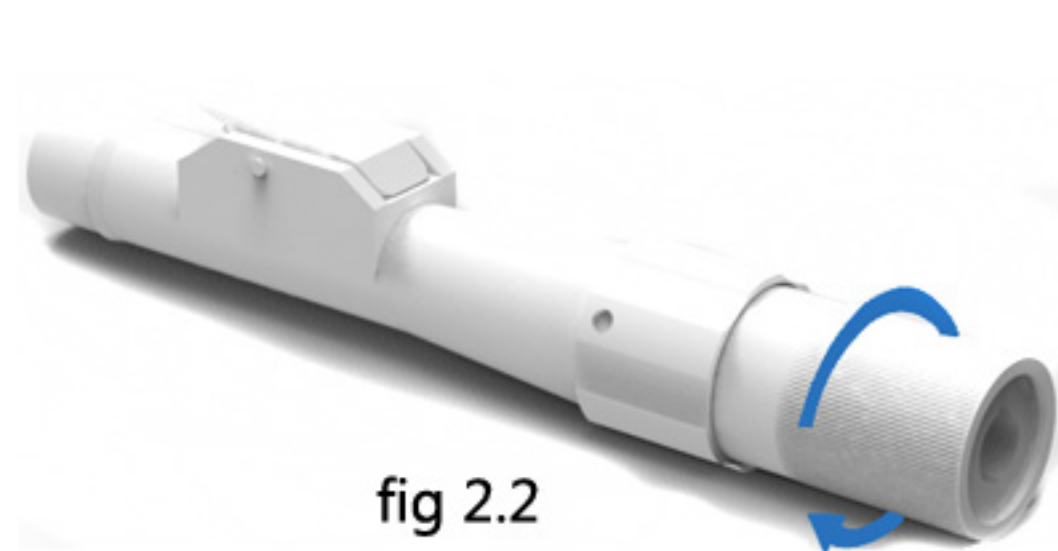
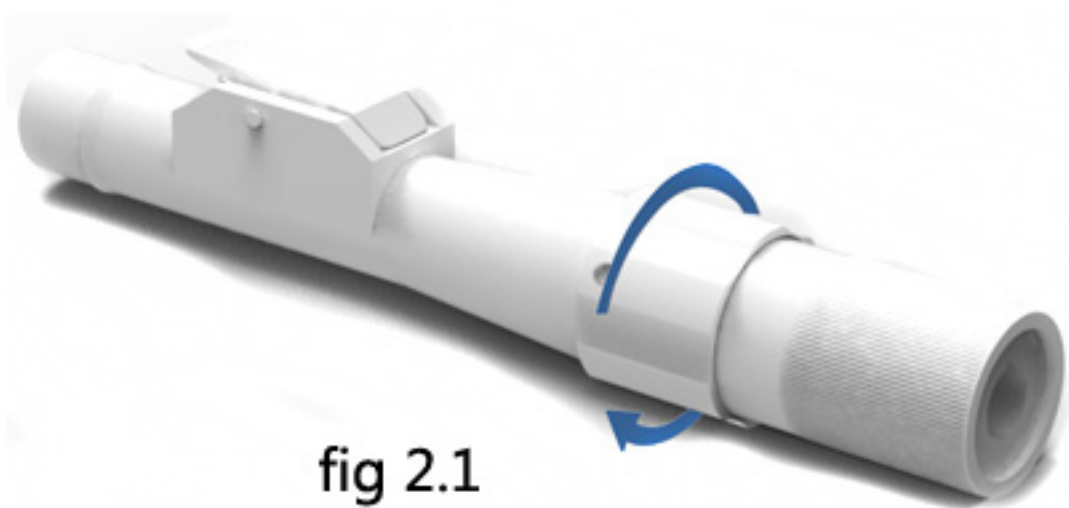
The operation includes three steps : 1.Reset 2. Absorbing 3. Injection

Caution: please do regular disinfection at the injection site before injection



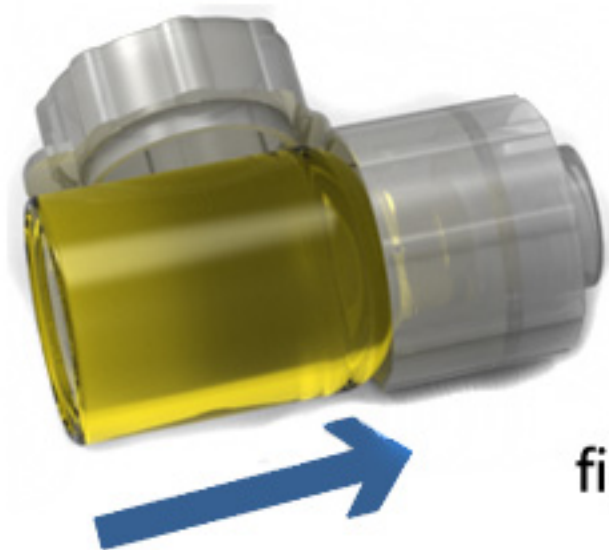
**RESET:** Twist safety ring clockwise about 60 degree ( fig2.1 ) , then spin Reset Sleeve clockwise till hearing the “click” (you’ll see a red indicator coming towards the bottom end if seen from bottom end) Stop spinning. The injector is in active state.

## 2. Instruction



**ABSORBING:** Absorbing the medicine from the bottle to the ampoule

Clean hands. Remove the cap from the medicine bottle and insert it to the vial adapter (fig 2.3) and spin the ampoule into the other side of the vial adapter (fig 2.4). Now pull back the plunger of the ampoule to the dose level that you want to be.



## 2. Instruction



### Injection:

Remove the ampoule from the vial adapter, and thread it into the injector head fully. As shown in Figure 2.5.

Reverse the safety ring (counterclockwise) 60 degree to make it back to the initial position. The injector is ready for injection, as shown in Figure 2.6.

Place the injector perpendicular to the skin and press lightly into the skin, push the Injection Trigger to deliver the medicine into the skin.



fig 2.5

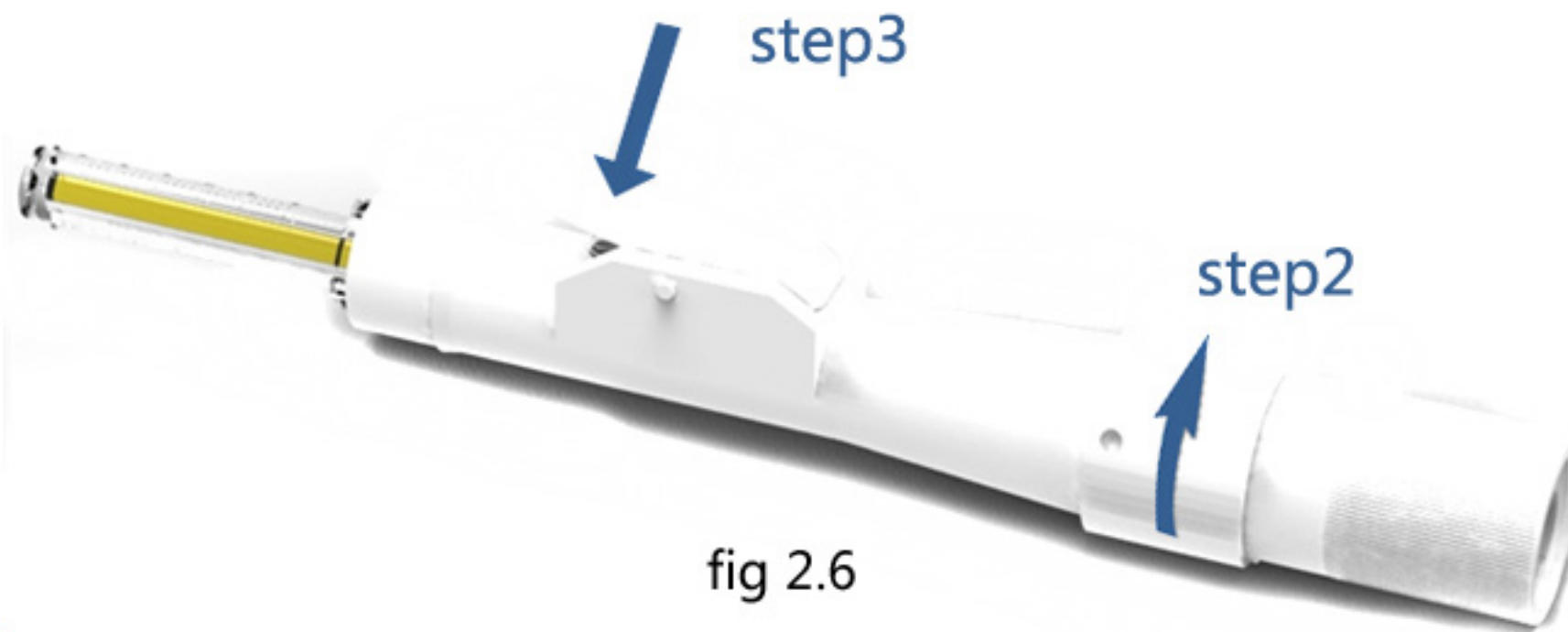


fig 2.6

## 3. Warnings



- 1) The ampoule must be screwed firmly into the injector to the perfect match;
- 2) Use the ampoule and vial adapter aseptically;
- 3) Injector must be perpendicular to the skin when injecting;
- 4) 1/2 depth of fat should be pressed down by injector before injecting;
- 5) Keep the injector stay in the skin for 2-3 seconds after injecting;

**Note:** It is normal if red spot or minor bleeding is seen after injection.





## 4. Fault resolution

### 4.1 Liquid residual

- (1) It is generally caused by improper operation. Injector should be perpendicular to the skin surface, if skewed placement will cause the force non-uniform, and affect the speed of drug flow;
- (2) Ampoule was overused and should be replaced.

### 4.2 Animal Over-reactive

- (1) The injection dose is too small.
- (2) Over pressing the injector into the skin will cause pain. Hold the injector stably with your hand, after injection, keep the injector stay in the skin for 2-3 seconds.

## 5. Replacement of accessories



### Service Life

The service life of the injector is 1000 times.

### Replacement of the vial adapter

The vial adapter is disposable in theory, but can be used multiply if proper sterilized and no damage occurs

### Replacement of ampoule

The ampoule is disposable in theory, but can be used multiply if proper sterilized. Normally it can not be used for more than 6 times. If the following occurs:

- (1) plunger curves;
- (2) piston aged and liquid residue seen;
- (3) ampoule burst (caused by improper operation), or other abnormal phenomena, the ampoule must be replaced.



ZA Medical Devices



Manufacturer: Changzhou ZA Medical Devices Co., Ltd, China.

Address: Room 2517, Building No.2, Science and Education Park, Changwu Road, Wujin of,Changzhou, Jiangsu Province

Tel: 0519-86339763

Fax: 0519-86339763

ZipCode: 213164

